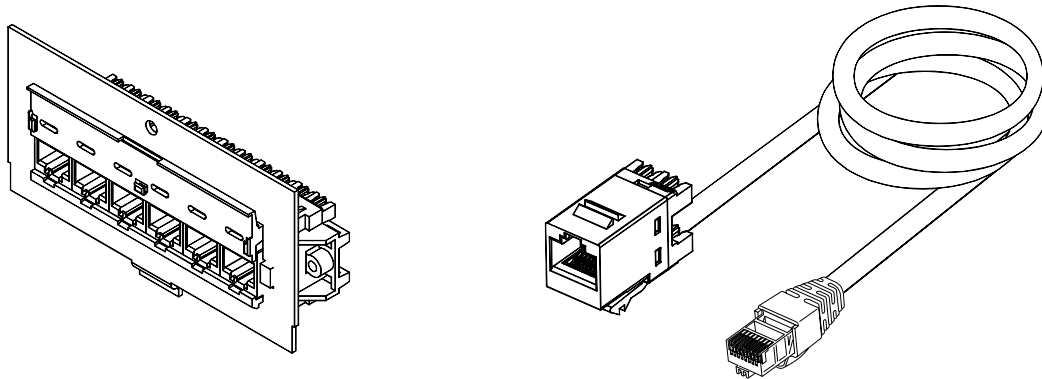


Category 6 Consolidation Point Module And Transition Cable Assemblies

1375367-1, 219596-X, 219597-X, 219598-X, 219599-X



Description

AMP NETCONNECT Consolidation Point Modules may be used to create a zone cabling system in compliance with TIA/EIA-568-B.1. Zone cabling eliminates the need to replace long cabling runs in moves, adds and changes. AMP NETCONNECT Category 6 modules exceed TIA/EIA-568-B.2-1 requirements for Category 6 component performance. The AMP NETCONNECT Category 6 System complies with all of the performance requirements for current and proposed applications such as Gigabit Ethernet, 100BASE-Tx, token ring, 155 Mbps ATM, 100 Mbps TP-PMD, ISDN, analog (broadband, baseband) and digital video and analog and digital (VoIP) voice. Universal wiring labels permit termination to either T568A or T568B wiring patterns. Used with consolidation point enclosure part number 406771-1 (24-port) or 1116741-1 (36 port). The Transition Cable Assemblies are factory-terminated and tested, using AMP NETCONNECT Category 6 components. The plug end is attached to the Consolidation Point Module and the jack end forms the work area outlet.

Specification (Text in brackets [] requires a choice.)

Consolidation points shall be provided with Category 6 modules. The modules shall be constructed with individual unkeyed, 4-pair modular jacks and shall meet the Category 6 performance requirements listed in the following table [include Performance Characteristics table from back page]. Modular jacks shall be terminated using 110-style pc board connectors, color-coded for both T568A and T568B wiring. Each jack shall be wired to [T568A or T568B]. Modular jacks shall be UL Listed under file number E81956. Category 6 consolidation point modules shall be AMP NETCONNECT part number 1375367-1. Work area outlets shall be created using factory-terminated plug-to-jack transition cable assemblies. Each transition cable assembly shall be [PVC or plenum-rated] and wired to [T568A or T568B]. Transition cable assemblies shall be AMP NETCONNECT part number [219596-X, 219597-X, 219598-X or 219599-X].

Description	Part Number
Category 6 consolidation point module, 6 port, T568A/B wiring	1375367-1
Category 6 transition cable assemblies	
PVC, T568A	219596-X
PVC, T568B	219597-X
Plenum, T568A	219598-X
Plenum, T568B	219599-X

X denotes length in feet: -1 = 20, -2 = 30, -3 = 40, -4 = 50

Category 6 Consolidation Point Module And Transition Cable Assemblies

1375367-1, 219596-X, 219597-X, 219598-X, 219599-X

Consolidation Point Worst-Case Performance Characteristics (exceed TIA and IEC Category 6)

Freq. MHz	Insertion Loss, dB		Return Loss, dB		NEXT, dB		FEXT, dB	
	Spec	AMP	Spec	AMP	Spec	AMP	Spec	AMP
1	0.10	0.02	30	52.4	75.0	84.8	75.0	83.7
4	0.10	0.02	30	53.7	75.0	80.3	71.1	74.8
8	0.10	0.02	30	55.3	75.0	77.4	65.0	69.4
10	0.10	0.03	30	56.1	74.0	76.4	63.1	67.5
16	0.10	0.03	30	57.6	69.9	72.0	59.0	62.9
20	0.10	0.04	30	59.3	68.0	71.9	57.1	61.7
25	0.10	0.04	30	59.4	66.0	69.1	55.1	59.8
31.25	0.11	0.05	30	56.8	64.1	67.7	53.2	58.2
62.5	0.16	0.06	28	42.3	58.1	61.5	47.2	52.6
100	0.20	0.06	24	33.2	54.0	57.7	43.1	48.7
200	0.28	0.06	18	21.2	48.0	52.5	37.1	42.2
250	0.32	0.10	16	17.4	46.0	47.9	35.1	40.1

Durability:

Modular jack - 750 mating cycles
110 Block - 200 termination cycles

Materials:

Jack housing - polyphenylene oxide, 94V-0 rated.
110 Blocks - polycarbonate, 94V-0 rated.
Jack contacts – beryllium copper, plated with 1.27 µm [.000050] thick gold in localized area and 3.81 µm [.000150] minimum thick tin-lead in solder area over 1.27 µm [.000050] minimum thick nickel underplate.
Boot - elastomer polyolefin
Plug housing - clear polycarbonate
Plug terminals - phosphor bronze with 50 micron gold plating on selected area, gold flash over the remainder, over 100 micron nickel underplate
Cable conductors - 23 AWG solid bare copper
Conductor insulation -
219567 - FEP, .040" dia. nom.
219560 - Polyethylene, .042" dia. nom.
Cable jacket - FR PVC

Approvals: UL File Number E81956, CSA

Specifications subject to change without notice.

Revised 8/01.

In the U.S. 1-800-553-0938

Canada 905-475-6222

Mexico 525-729-0400

South and Central Americas 54-11-4733-2200

www.ampnetconnect.com

e-mail: networking.help@tycoelectronics.com

© Copyright 2001 Tyco Electronics Corporation. All rights reserved.
AMP and NETCONNECT are trademarks.

tyco

Electronics

