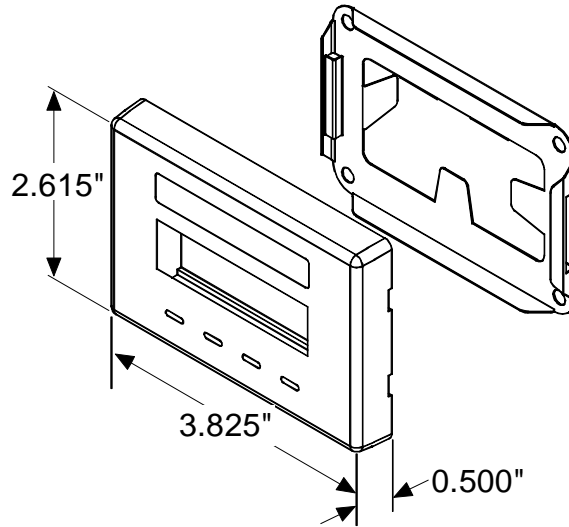


# SL Series Modular Furniture Outlet

1375005-X, 1375006-X



### Description

The AMP NETCONNECT SL Series Modular Furniture Outlet is designed to attach to a wide variety of modular furniture raceway knockouts. It accepts up to four SL Series Toolless Jacks, MT-RJ fiber optic jacks, multimedia inserts or blanks. Two bases cover most knockout sizes: The small base handles 1.375" - 1.405" X 2.656" - 2.750", the large base accommodates 1.750" - 1.900" X 2.750" - 3.000". Tabs on the base are simply folded over and crimped with pliers to attach the base to the raceway cover. The faceplate is available in five colors to complement the furniture system and features the patented "flash-over" icon holes that need be activated only when icons are desired.

### Specification (Text in brackets [ ] requires a choice.)

Modular furniture work area outlets shall be constructed utilizing SL Series Modular Furniture Outlets, colored [almond, black, white, gray, electrical ivory]. Each furniture outlet shall be provided with [define connector requirements]. The SL Series Modular Furniture Outlets shall be AMP part number [1375005-X or 1375006-X (X denotes color)].

### Ordering Information

SL Series Modular Furniture Outlet

Small Opening	Large Opening	Color
1375005-1	1375006-1	Light Almond
1375005-2	1375006-2	Black
1375005-3	1375006-3	White
1375005-4	1375006-4	NEMA Gray
1-1375005-1	1-1375006-1	Electrical Ivory

### Materials

Faceplate – ABS molding compound  
 Base – pre-galvanized steel

**Packaging** – 1 per bag/10 bags per carton

**Approvals** – UL

Specifications subject to change without notice.

Revised 7/00.

In the U.S. 1-800-553-0938

Canada 905-475-6222

Mexico 525-729-0400

South and Central Americas 54-11-4733-2200

[www.amp.com/networking](http://www.amp.com/networking)

e-mail: [networking.help@tycoelectronics.com](mailto:networking.help@tycoelectronics.com)

**tyco**

Electronics

